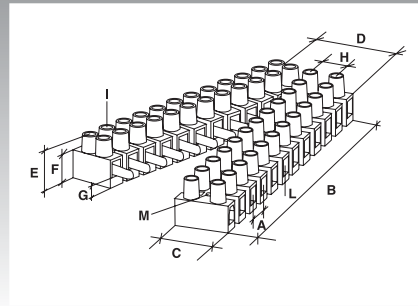


Pluggable Panel Mount Terminal Blocks



Material	Description	Part Number	Part Number	Part Number	Part Number	
	Male + female plug	431-PLP-SP	433-PLP-SP	434-PLP-SP	115-PLP-SP	
PLP UL94 V2 T 85 °C	Male plug	431-PLP-SPM	433-PLP-SPM	434-PLP-SPM	115-PLP-SPM	
	Female plug	431-PLP-SPF	433-PLP-SPF	434-PLP-SPF	115-PLP-SPF	
	Male + female plug	431-NY-SP	433-NY-SP	434-NY-SP	115-NY-SP	
PA 6.6 UL94 V2 T 110 °C	Male plug	431-NY-SPM	433-NY-SPM	434-NY-SPM	115-NY-SPM	
T 125 °C 431	Female plug	431-NY-SPF	433-NY-SPF	434-NY-SPF	115-NY-SPF	
	Male + female plug	431-FV-SP	433-FV-SP	434-FV-SP	115-FV-SP	
PA 6.6 UL94 V0 T 150 °C	Male plug	431-FV-SPM	433-FV-SPM	434-FV-SPM	115-FV-SPM	
	Female plug	431-FV-SPF	433-FV-SPF	434-FV-SPF	115-FV-SPF	
Number of poles	n.	2-3-4-6-12	2-3-4-6-12	2-3-4-6-12	2-4-8-16	
Dimensions (for version PLP):						
Pitch	A mm	8	10	12	11,5	
Length	B mm	94,9	117	140,4	180,5	
Width	C mm	16,3	20,2	23,2	23,1	
Width of paired terminal blocks (SP)	D mm	32,6	40,4	46,4	46,2	
Height	E mm	15	16,6	20,3	18	
Height of the body only	F mm	9,4	10,2	11	11	
Base thickness	G mm	3	3	3,1	1,8	
Chimneys interaxis	H mm	6	10	10	10	
Screw (in steel / zinc)	I M	3	3	3,5	3,5	
Bush hole diameter (in OT58 nickel plated)	L mm	2,9	3,4	4,3	4,3	
Fixing hole diameter	M mm	2,8	3,4	4,1	3,5	
Commercial packing for SP - 12 poles	n.	384 in packets of 6 pcs.	198 in packets of 6 pcs.	120 in packets of 6 pcs.		
Industrial packing for SP	n.	2p 1500 3p 1100 4p 750 6p 500 12p 384	2p 1000 3p 700 4p 500 6p 350 12p 198	2p 800 3p 600 4p 400 6p 200 12p 120	2p 1000 4p 500 8p 1000 16p 96	
Industrial packing for SPM or SPF	n.	2p 3000 3p 2000 4p 1500 6p 1000 12p 660	2p 2000 3p 1300 4p 1000 6p 700 12p 380	2p 1600 3p 1200 4p 800 6p 400 12p 225	2p 2000 4p 1000 8p 500 16p 200	
Accessories and markings		12	12	12	12	
Other accessories:				coloured caps for poles identif.	coloured caps for poles identif.	
Approvals:		CEI EN 60998-1 CEI EN 60998-2-1	2,5mm ² 24A 250V	4mm ² 32A 250V	10mm ² 57A 250V	6mm ² 42A 450V
When mounted on a suitable insulating base:		2,5mm ² 24A 450V	4mm ² 32A 450V	10mm ² 57A 450V		



T 105 °C UL 486 E

403-NY-SP-LP
12AWG 20A 300V