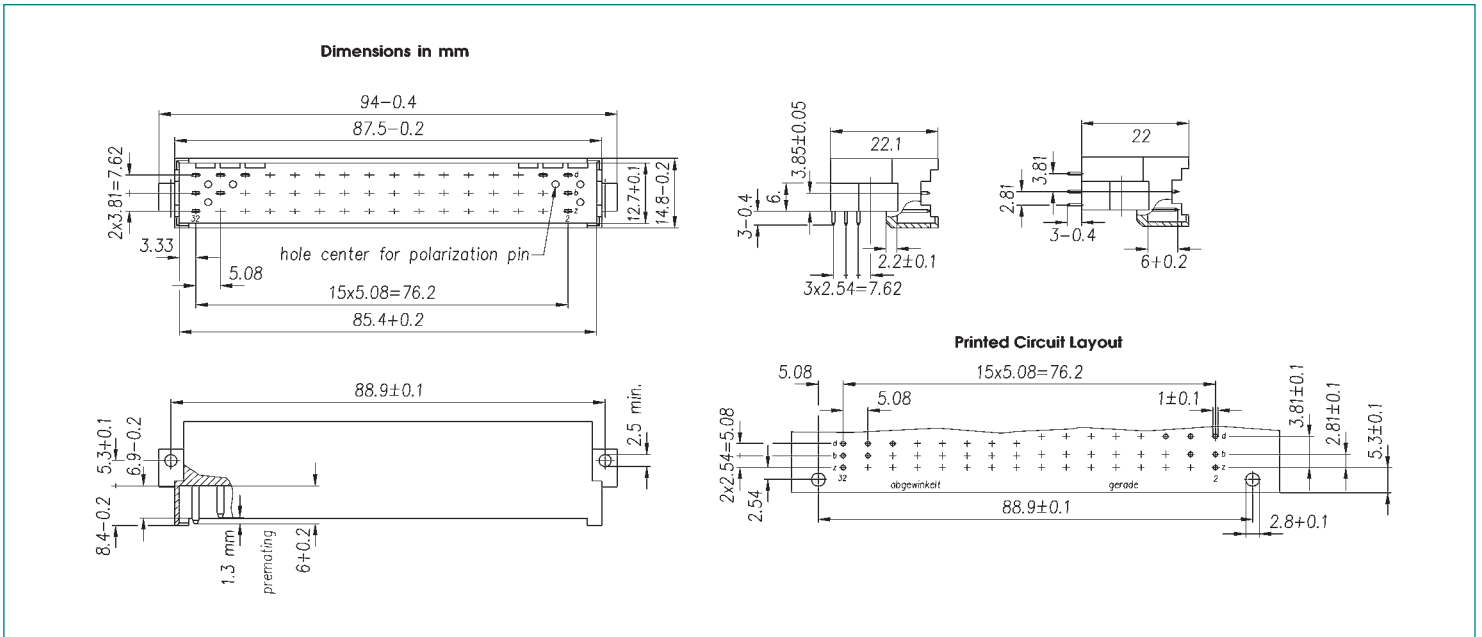


Male Connectors  
Type F  
PCB Headers



No. of Positions		32	32	48
Position		Row b,z	Row d,z	Row d,b,z
Termination Methods	Approvals	Part Numbers		
	UL/cUL	LM10940024	LM10940014	LM10940064
	UL/cUL	LM10940025	LM10940015	LM10940065