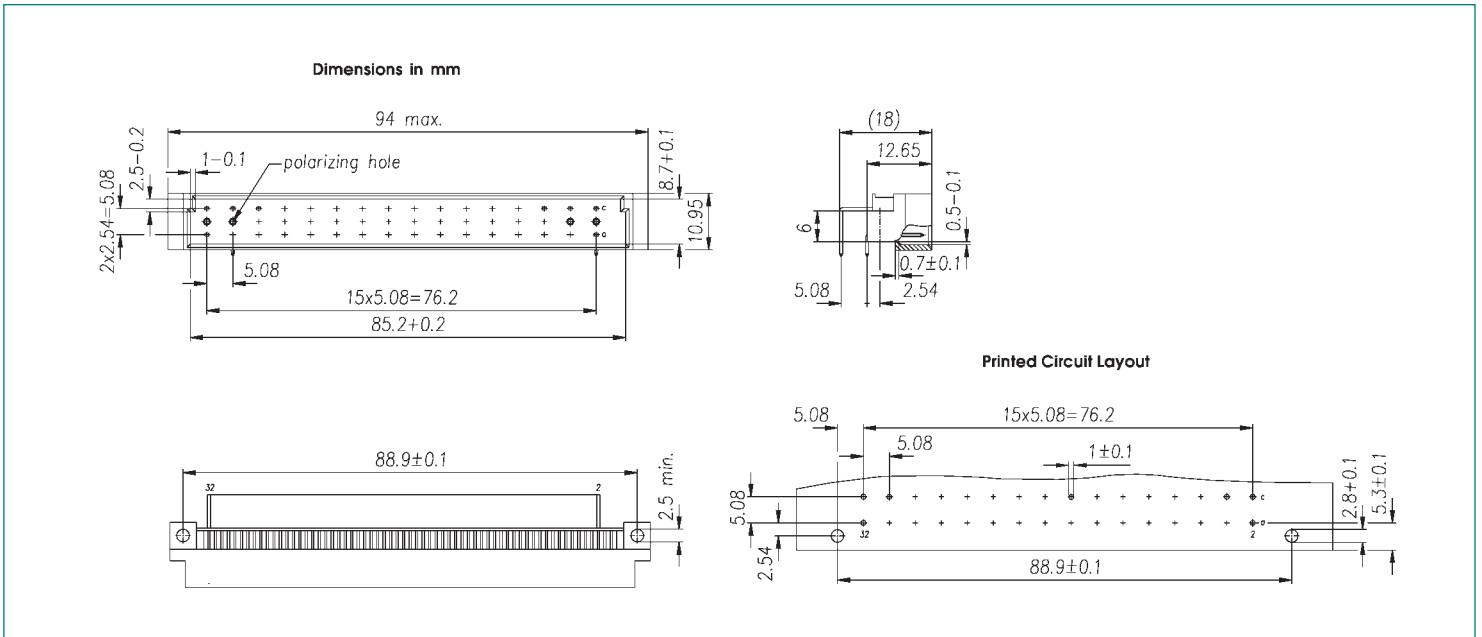
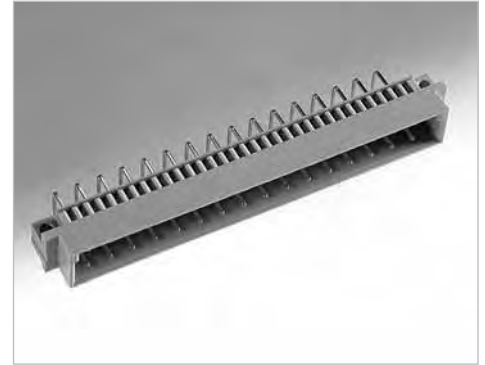


Male Connectors Type D PCB Headers



No. of Positions		16	32
Position		Row a,c (2,6,10,...)	Row a,c
Termination Methods	Approvals	Part Numbers	
	UL/cUL	LM11040014	LM10540064
	UL/cUL	LM11040016	LM10540066