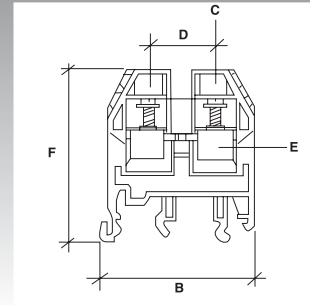
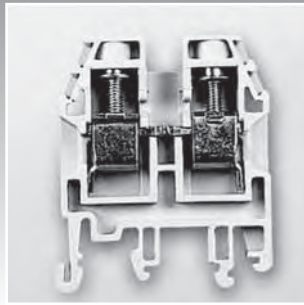
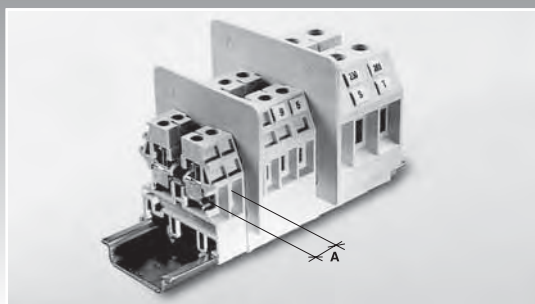


# Industry Standard Din Rail Mounted Terminal Blocks

Universal terminal blocks for DIN rails  
15x5,5 - 35x7,5 - 35x15 - 32x15



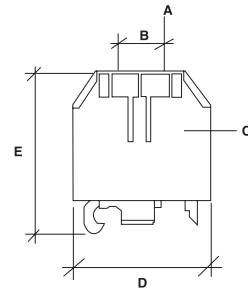
Description		Part Number	Part Number	Part Number
Terminal blocks grey colour RAL 2470		PL 2,5	PL 4	PL 6
Terminal blocks blue colour RAL 5015		NE 2,5	NE 4	NE 6
Terminal blocks red colour RAL 3000		RS 2,5	RS 4	RS 6
Material of the insulating body		PA 6.8 UL94 V0	PA 6.8 UL94 V0	PA 6.8 UL94 V0
Strand wire section	mm <sup>2</sup>	2,5	4	6
Single wire section	mm <sup>2</sup>	4	6	10
Stripping	mm	10	12	12
Dimensions:				
Pitch and thickness	A mm	6	6,5	8
Width	B mm	40,5	41,3	41,3
Screw (in steel/zinc)	C M	2,5	3	3,5
Screw holes interaxis	D mm	16	19,1	19,1
Bush hole (in steel/zinc)	E mm	3 x 4,1	3,4 x 5	4,5 x 5,5
Height	F mm	43,5	48,3	48,5
Height including mounting rail DIN 15x5,5	mm	44,5	49,3	49,5
Height including mounting rail DIN 35x7,5	mm	45,3	50,3	50,3
Height including mounting rail DIN 35x15	mm	52,8	57,8	57,8
Height including mounting rail DIN 32x15	mm	49,3	54,3	54,3
Working temperature	°C	110	110	110
Packing/Box	n.	100/1800	100/1500	100/1000
Accessories see pages		306/307	306/307	306/307
Approvals:				
 CEI EN 60947-7-1 CEI EN 60947-7-2		2,5mm <sup>2</sup> 24A 750V	4mm <sup>2</sup> 32A 750V	6mm <sup>2</sup> 41A 750V
 T 105 °C UL 486 E		12AWG 25A 600V	10AWG 30A 600V	8AWG 42A 600V



Item	Code	Item	Code	Item	Code	Item	Code
PL 10	45463.62	PL 16	45464.62	PL 35	45465.62	PL 70	45466.62
NE 10	45463.03	NE 16	45464.03	NE 35	45465.03	NE 70	45466.03
RS 10	45463.13	RS 16	45464.13	RS 35	45465.13	RS 70	45466.13
PA 6.8 UL94 V0		PA 6.8 UL94 V0		PA 6.8 UL94 V0		PA 6.8 UL94 V0	
10		16		35		70	
16		25		50		95	
12		15		20		21	
10		12		18		22	
41,3 4		50,3 4		58,3 6		75 8	
19,1		21		26,8		34	
5,6 x 5,7		6,6 x 7,3		10,5 x 9,3		14,4 x 14	
48,8		53,3		65,5		81,7	
49,8							
50,3		55,5		67,1		82,9	
57,8		62,8		74,6		90,4	
54,3		59,3		71,5		86,7	
110		110		110		110	
100/600		50/500		20/300		20/160	
306/307		306/307		306/307		306/307	
10mm <sup>2</sup> 57A 750V		16mm <sup>2</sup> 67A 750V		35mm <sup>2</sup> 125A 750V		70mm <sup>2</sup> 192A 750V	
6AWG 50A 600V		4AWG 65A 600V		2AWG 90A 600V		00AWG 140A 600V	

# Industry Standard Din Rail Ground Terminal Blocks

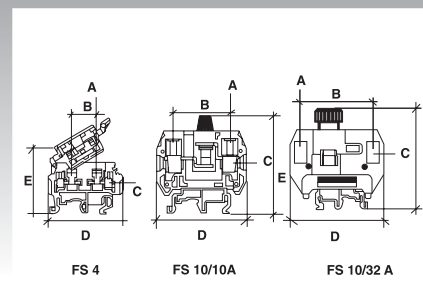
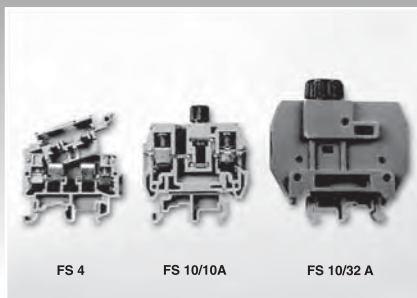
Ground universal terminal blocks for  
DIN rails 35x7,5 - 35x15 -32x15



Description	Part Number	Part Number	Part Number	Part Number	Part Number
T. b. yellow/green colour RAL 1018 and 6018	TE 4	TE 6	TE 10	TE 16	TE 35
Material of the insulating body	PA 6.8 UL94 V0	PA 6.8 UL94 V0	PA 6.8 UL94 V0	PA 6.8 UL94 V0	PA 6.8 UL94 V0
Pitch and thickness	mm 6	mm 8	mm 10	mm 12	mm 16
Strand wire section	mm <sup>2</sup> 4	mm <sup>2</sup> 6	mm <sup>2</sup> 10	mm <sup>2</sup> 16	mm <sup>2</sup> 35
Single wire section	mm <sup>2</sup> 4	mm <sup>2</sup> 10	mm <sup>2</sup> 16	mm <sup>2</sup> 5	mm <sup>2</sup> 5
Stripping	mm 12	mm 12	mm 12	mm 14	mm 17
Dimensions:					
Screw (in steel /zinc )	A M 2,5	M 3,5	M 4	M 4	M 6
Screw holes interaxis	B mm 19	mm 19	mm 21,5	mm 21,5	mm 21,5
Bush hole (in steel /zinc or in OT67)	C mm 3 x 4,1	4,5 x 5,5	5,6 x 5,7	6,6 x 7,3	10 x 10
Width	D mm 43	mm 43	mm 50,2	mm 50,2	mm 49,2
Height	E mm 50	mm 50	mm 54	mm 54	mm 53
H. including mounting rail DIN 35x7,5mm	50	50	56,5	56,5	54,1
H. including mounting rail DIN 35x15 mm	57,5	57,5	64	64	61,6
H. including mounting rail DIN 32x15 mm	54,5	54,5	60	60	59,5
Working temperature	°C 110	°C 110	°C 110	°C 110	°C 110
Packing/Box	n. 100/600	75/450	60/360	50/300	35/210
Accessories see pages	306/307	306/307	306/307	306/307	306/307
Approvals:					
CEI EN 60947-7-1 CEI EN 60947-7-2	4mm <sup>2</sup> 32A 500V	6mm <sup>2</sup> 41A 500V	10mm <sup>2</sup> 57A 500V	16mm <sup>2</sup> 67A 500V	35mm <sup>2</sup> 125A 800V
UL T 105 °C UL 486 E	12AWG 25A 600V	10AWG 35A 600V	8AWG 50A 600V	4AWG 85A 600V	2AWG 150A 600V

# Industry Standard Fuse Din Rail Terminal Blocks

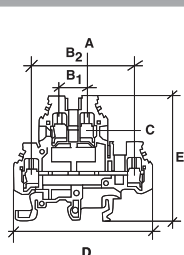
Universal terminal blocks with  
fuse holder for DIN rails  
35x7,5 - 35x15 - 32x15



Description	Part Number	Part Number	Part Number
Fuse holder terminal blocks	FS 4    5 x 20 5 x 25	FS 10/10 A    5 x 20 5 x 25	FS 10/32 A    D01
Term. blocks with neutral blue dissector	FS 4		
Terminal blocks with led	FS 4    24V 48V	FS 10/10 A    24V	
Terminal blocks with neon 110-220 V	FS 4    N.	FS 10/10 A    N.	
Material of the insulating body	PA 6.6 UL94 V2	PA 6.6 UL94 V2	PA 6.6 UL94 V2
Pitch and thickness	mm <b>8</b>	<b>12</b>	<b>24</b>
Strand / single wires section	mm <sup>2</sup> 4 / 4	10 / 16	10 / 16
Stripping	mm    9,5	13	13
Screw (in steel/zinc)	<b>A</b> M    3	4	4
Screw holes interaxis	<b>B</b> mm    37	35	46,5
Bush hole (in steel/zinc)	<b>C</b> mm    3,25 x 3,8	6,25 x 5,5	6,25 x 5,75
Width	<b>D</b> mm    56,5	58	74
Height	<b>E</b> mm    47,5	65	78
Height including mounting rail DIN 35x7,5	mm    48,5	66	80,5
Height including mounting rail DIN 35x15	mm    56	73,5	88
Height including mounting rail DIN 32x15	mm    53,5	71	85,5
Working temperature	°C <b>110</b>	<b>110</b>	<b>110</b>
Packing	n.    75	28	9
Accessories see pages	306/307	306/307	306/307
Approvals:			
VDE    0110 GR.C.	<b>4mm<sup>2</sup>    6,3A    630V</b>	<b>10mm<sup>2</sup>    10A    500V</b>	<b>10mm<sup>2</sup>    32A    750V</b>
T 105 °C    UL 486 E	<b>12AWG    10A    600V</b>	<b>6AWG    15A    600V</b>	<b>8AWG    35A    600V</b>
T 105 °C    UL 486 E	<b>12AWG    10A    600V</b>	<b>6AWG    15A    600V</b>	<b>8AWG    35A    600V</b>

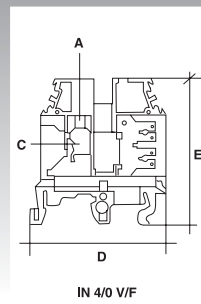
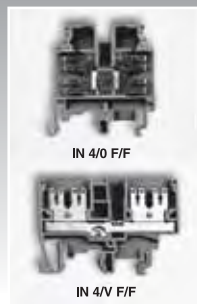
## Double Level Terminal Blocks

for DIN rails 35x7,5  
- 35x15 - 32x15



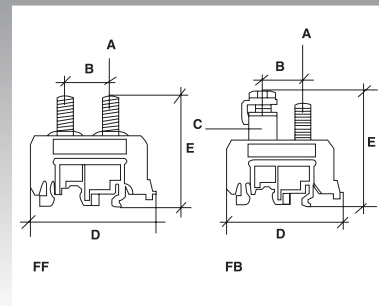
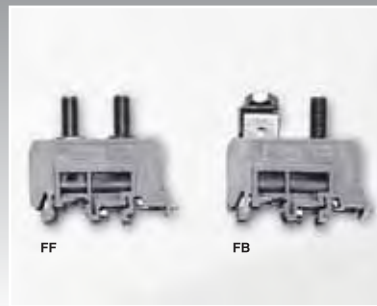
## Tab Terminal Blocks

for DIN rails 35x7,5  
- 35x15 - 32x15



Description		Part Number	Part Number	Part Number	Part Number	Part Number
Terminal blocks		DP 4	IN 4/0 V/F	IN 4/0 F/F	IN 4/V V/F	IN 4/V F/F
Notes		screw / screw	screw / tab	tab / tab	screw / tab	tab / tab
Material of the insulating body		PA 6.6 UL94 V2	PA 6.6 UL94 V2	PA 6.6 UL94 V2	PA 6.6 UL94 V2	PA 6.6 UL94 V2
Pitch and thickness	mm	6	6	6	6,5	6,5
Wire section	mm <sup>2</sup>	4	4/1,5 (faston 2,8 x 0,8) 4/2,5 (faston 6,3 x 0,8)	1,5 (faston 2,8 x 0,8) 2,5 (faston 6,3 x 0,8)	4/1,5 (faston 2,8 x 0,8) 4/2,5 (faston 6,3 x 0,8)	1,5 (faston 2,8 x 0,8) 2,5 (faston 6,3 x 0,8)
Stripping	mm	8,5	9,5		9,5	
Dimensions:						
Screw (in steel/zinc)	A M	3	3		3	
Screw holes interaxis	B1 mm B2 mm	14,50 48,50				
Bush hole (in steel/zinc)	C mm	3,2 x 3,7	3,2 x 3,7		3,2 x 3,7	
	D mm	65,75	44,5	44,5	58	58
Height	E mm	59	46,7	46,7	39,6	39,6
H. including mounting rail DIN 35x7,5mm		59,7	48	48	41	41
H. including mounting rail DIN 35x15 mm		67,2	55,5	55,5	48,5	48,5
H. including mounting rail DIN 32x15 mm		65,5	53	53	46	46
Working temperature	°C	110	110	110	110	110
Packing	n.	60	100	100	100	100
Accessories see pages		306/307	306/307	306/307	306/307	306/307
Bus bar		45783.32				
Approvals:						
VDE	0100/0110 GR.C.	4mm <sup>2</sup> 32A 800V	4mm <sup>2</sup> 35A 750V	2,5mm <sup>2</sup> 35A 750V	4mm <sup>2</sup> 25A 500V	2,5mm <sup>2</sup> 35A 750V
	T 105 °C UL 486 E	12AWG 20A 300V	10AWG 20A 600V	10AWG 50A 600V		10AWG 25A 600V
	T 105 °C C22.2	12AWG 25A 300V	12AWG 20A 300V	12AWG 20A 300V	12AWG 25A 300V	12AWG 25A 300V

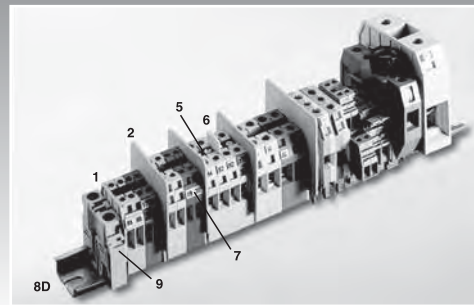
# High Power Terminal Blocks for DIN rails 35x7,5 - 35x15 - 32x15



Description	Part Number	Part Number	Part Number	Part Number
Terminal blocks with 2 bolts	BA 35 FF	BA 70 FF	BA 120 FF	BA 300 FF
T.b. with 1 bolt and 1 clamping screw	BA 35 FB	BA 70 FB	BA 120 FB	BA 300 FB
Material of the insulating body	PA 6.6 UL94 V2	PA 6.6 UL94 V2	PA 6.6 UL94 V2	PA 6.6 UL94 V2
Pitch and thickness	mm 26	mm 31	mm 35	mm 42
Bar section (in nickel plated brass OT58)	mm 16 x 4	mm 20 x 5	mm 25 x 5	mm 32 x 8
Terminal wire section	mm <sup>2</sup> 2,5 - 50	mm <sup>2</sup> 2,5 - 70	mm <sup>2</sup> 2,5 - 70	mm <sup>2</sup> 6 - 150
Clamping screw wire section	mm <sup>2</sup> 6 - 35	mm <sup>2</sup> 6 - 70	mm <sup>2</sup> 35 - 120	mm <sup>2</sup> 70 - 300
Stripping	mm 19	mm 22	mm 28	mm 40
Bolt (in steel/zinc)	A M 6	M 8	M 8	M 10
Bolts interaxis	B mm 18,5	mm 23,5	mm 27,5	mm 35
Bush hole (in steel/zinc)	C mm 10 x 10,5	mm 11 x 13,3	mm 16,2 x 16,2	mm 26,2 x 27,50
Width	D mm 66,3	mm 65	mm 69	mm 93
Height	E mm FF 50,8 FB 51,0	mm FF 57,5 FB 57,5	mm FF 57,3 FB 65,2	mm FF 55,0 FB 78,5
Height including mounting rail DIN 35x7,5 mm	mm FF 51,5 FB 63,5	mm FF 58,5 FB 70,5	mm FF 58,5 FB 77,5	mm FF 56,5 FB 99,5
Height including mounting rail DIN 35x15 mm	mm FF 59,0 FB 71,0	mm FF 66,0 FB 78,0	mm FF 66,0 FB 85,0	mm FF 64,0 FB 107,0
Height including mounting rail DIN 32x15 mm	mm FF 56,5 FB 68,5	mm FF 63,5 FB 75,5	mm FF 63,5 FB 82,5	mm FF 61,5 FB 104,5
Working temperature	°C 110	°C 110	°C 110	°C 110
Packing	n. 20	20	20	15
Accessories see pages	306/307	306/307	306/307	306/307
Cover	45840.06	45841.06	45842.06	45843.06
Approvals:				
0110 GR.C.	35mm <sup>2</sup> 125A 1000V	50mm <sup>2</sup> 150A 1000V	50mm <sup>2</sup> 150A 1000V	120mm <sup>2</sup> 269A 1000V
T 105 °C UL 486 E	2AWG 115A 600V	00AWG 175A 600V	250MCM 255A 600V	500MCM 380A 600V
T 105 °C C22.2	4AWG 125A 600V	0AWG 200A 600V	000AWG 270A 600V	500MCM 550A 600V

# Din Rail Terminal Block Accessories

## PL, TE, FS, DP, IN and BA.



Item	1 End cover	2 Partition plate	3 Test plug socket	4 Test plug
Material	PA 6.8 UL94 V0	PA 6.8 UL94 V0	brass OT58	brass OT58

Accessories for:

PL2,5	<b>FCPL2,5</b> 1,5mm 45550.62	<b>FSPL2,5/4/6/10</b> 1,5mm 45560.62	<b>ALV2</b> ø2 45571.32	<b>PC2</b> ø2 45570.32
PL4	<b>FCPL4/6/10</b> 1,5mm 45551.62	<b>FSPL2,5/4/6/10</b> 1,5mm 45560.62	<b>ALV2</b> ø2 45571.32 <b>ALV4</b> ø4 45562.32	<b>PC2</b> ø2 45570.32 <b>PC4</b> ø4 45561.32
PL6	<b>FCPL4/6/10</b> 1,5mm 45551.62	<b>FSPL2,5/4/6/10</b> 1,5mm 45560.62	<b>ALV2</b> ø2 45571.32 <b>ALV4</b> ø4 45562.32	<b>PC2</b> ø2 45570.32 <b>PC4</b> ø4 45561.32
PL10	<b>FCPL4/6/10</b> 1,5mm 45551.62	<b>FSPL2,5/4/6/10</b> 1,5mm 45560.62	<b>ALV2</b> ø2 45571.32 <b>ALV4</b> ø4 45562.32	<b>PC2</b> ø2 45570.32 <b>PC4</b> ø4 45561.32
PL16	<b>FCPL16</b> 1,8mm 45552.62	<b>FSPL16</b> 1,5mm 45558.62	<b>ALV2</b> ø2 45571.32 <b>ALV4</b> ø4 45562.32	<b>PC2</b> ø2 45570.32 <b>PC4</b> ø4 45561.32
PL35	<b>FCPL35</b> 1,8mm 45553.62	<b>FSPL35</b> 1,5mm 45557.62		
PL70	<b>FCPL70</b> 1,8mm 45554.62			
TE4				
TE6				
TE10				
TE16				
TE35				
FS4	<b>FCFS4</b> 1,5mm 45775.00			
FS10/10A	<b>FCFS10/10A</b> 3mm 45787.00			
FS10/32A				
DP4	<b>FCDP4</b> 1mm 45789.00	<b>FSDP4</b> 1mm 45788.00	<b>ALV2</b> ø2 45571.32 <b>ALV4</b> ø4 45562.32	<b>PC2</b> ø2 45570.32
IN4/O	<b>FCIN4/O</b> 1mm 45782.00	<b>FSIN4/O</b> 1mm 45781.00	<b>ALV2</b> ø2 45571.32 <b>ALV4</b> ø4 45562.32	<b>PC2</b> ø2 45570.32 <b>PC4</b> ø4 45561.32
IN4/V	<b>FCIN4/V</b> 1mm 45820.06	<b>FSIN4/V</b> 1mm 45592.06	<b>ALV2</b> ø2 45571.32 <b>ALV4</b> ø4 45562.32	<b>PC2</b> ø2 45570.32 <b>PC4</b> ø4 45561.32
BA				
Packing	n. <b>PL2,5-16</b> 50 <b>FS/DP/IN4</b> 20 <b>PL35-70</b> 25 <b>FS10</b> 10	<b>PL2,5-16</b> 50 <b>DP/IN</b> 20 <b>PL35</b> 25	50	50
Other available accessories:				
Numbered markers 1 - 10				
Numbered markers 1 - 100				

Markers with numb., letters and electrical symbols

